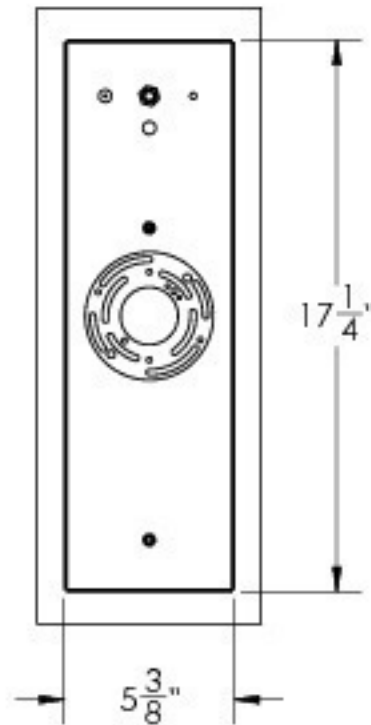
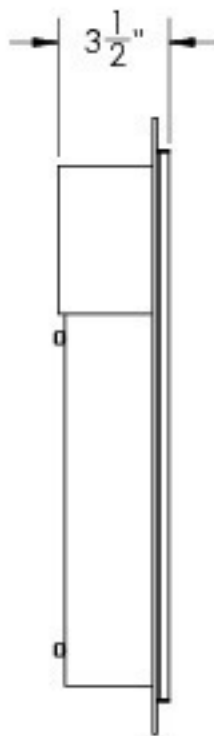
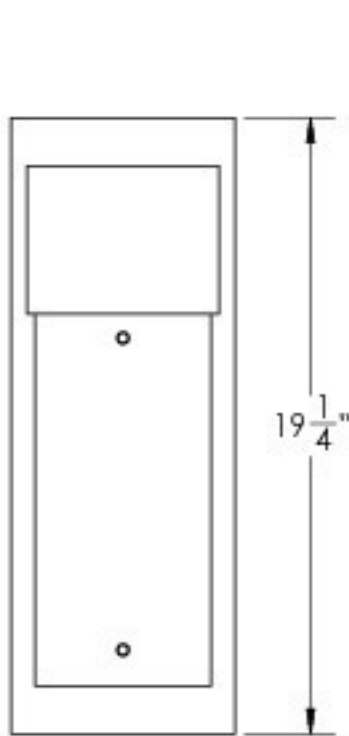
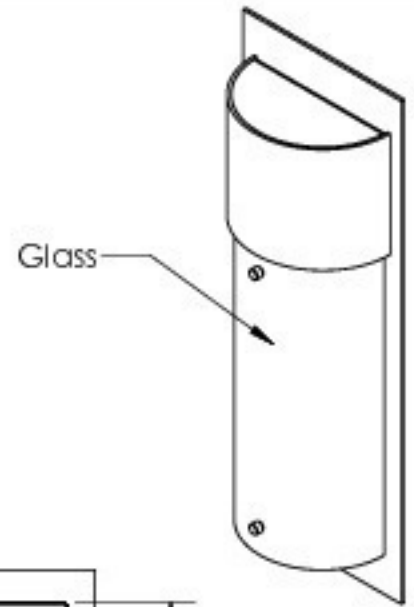


SPECIFICATION DRAWING

Location:

Product #: ODB0030-19-XX-XX-G1



****FOR BEST RESULTS USE A 10°-20° DIRECTIONAL BULB****

Bulbs Not Included

11/20/2015

Mounting Packet: U	Electrical Type: HALOGEN/LED
Approximate lbs.: 10	Bulb Qty: 1 Bulb Type: MR16
Finish: SEE WEB SITE FOR OPTIONS	Wattage: 35 Voltage: 120
Top Diffuser: Closed Metal	Socket Type: GU10
Bottom Diffuser: Open	UL Location: Wet

Mounting Detail

