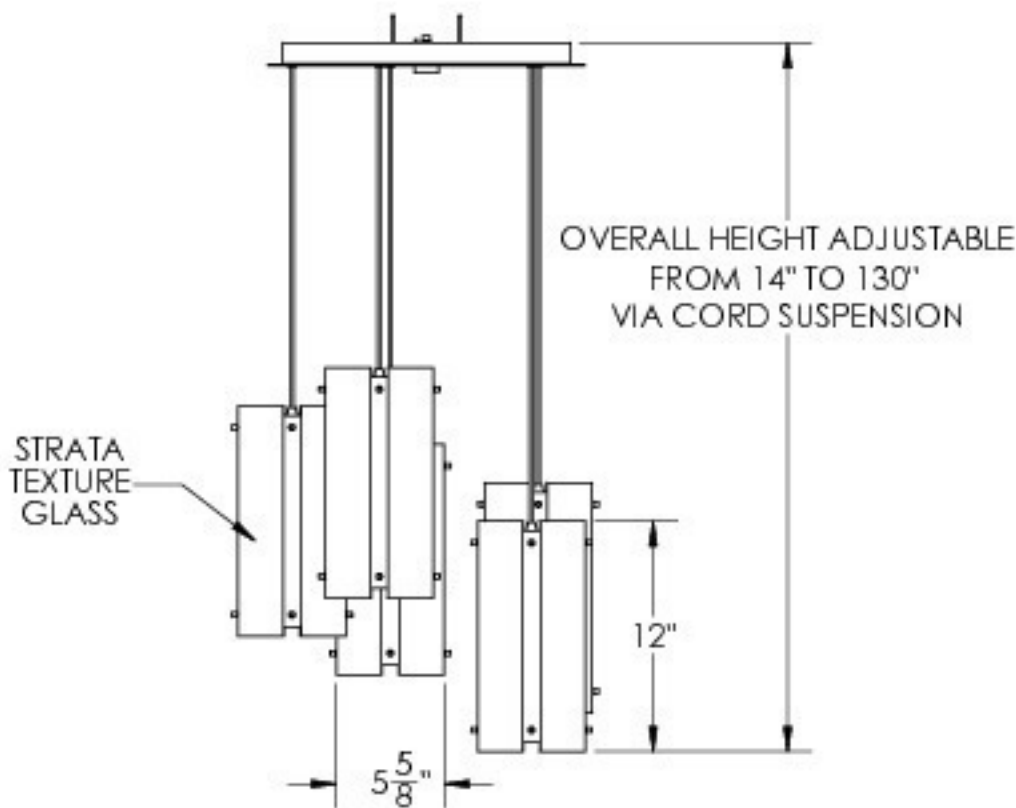
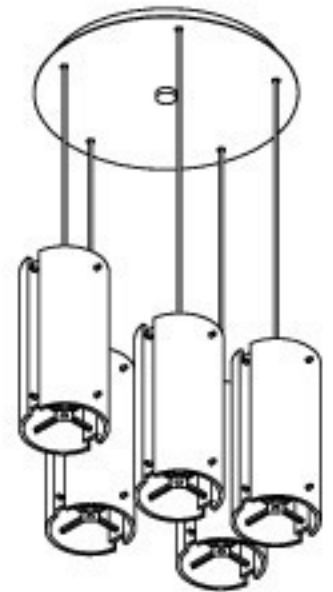
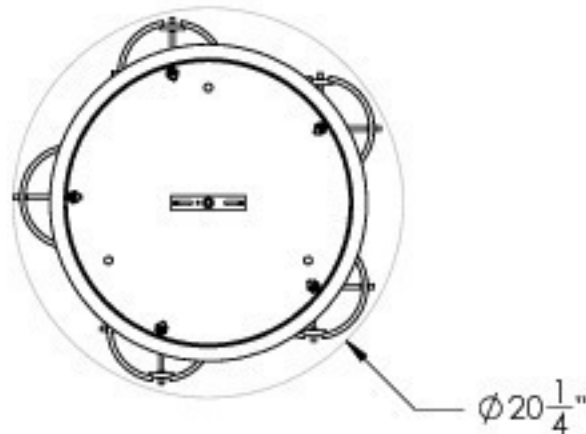


SPECIFICATION DRAWING

Product #: CHB0015-05-XX-F-001-XX

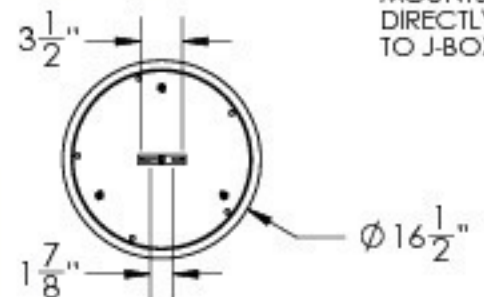


Product #	Electrical Type	Bulb Type	Wattage	Socket Type
CHB0015-05-XX-F-002-E2	Incandescent	A19	60	Medium E26
CHB0015-05-XX-F-002-G2	Flourescent	CFL/LED RETRO	13	GU-24

Bulbs Not Included

Mounting Packet: W	Electrical Type: See Table
Approximate lbs.: 20	Bulb Qty: 5 Bulb Type: See Table
Finish: See Website For Options	Wattage: See Table Voltage: 120
Top Diffuser: Open	Socket Type: See Table
Bottom Diffuser: Open	UL Location: Dry

Mounting Detail



MOUNTS
DIRECTLY
TO J-BOX