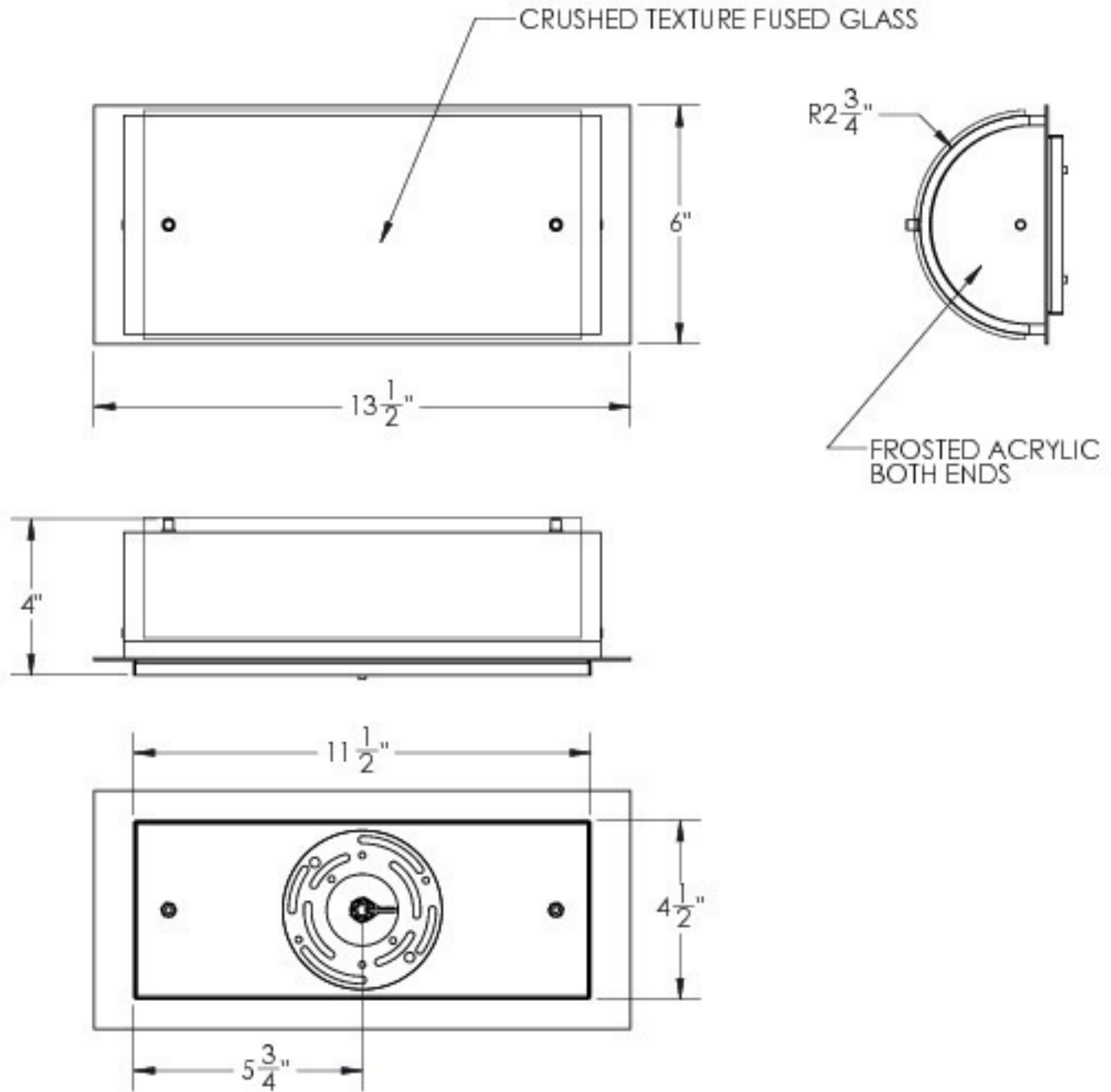


SPECIFICATION DRAWING

Product #: VLB0005-13-XX-X



Bulbs Not Included

Mounting Packet: U	Electrical Type: Incandescent
Approximate lbs.: 5	Bulb Qty: 2 Bulb Type: A19
Finish: SEE WEB SITE FOR OPTIONS	Wattage: 40 Voltage: 120
Top Diffuser: Closed	Socket Type: MEDIUM E26 BASE
Bottom Diffuser: Closed	UL Location: Indoor Damp

Mounting Detail



MOUNTS DIRECTLY TO J-BOX