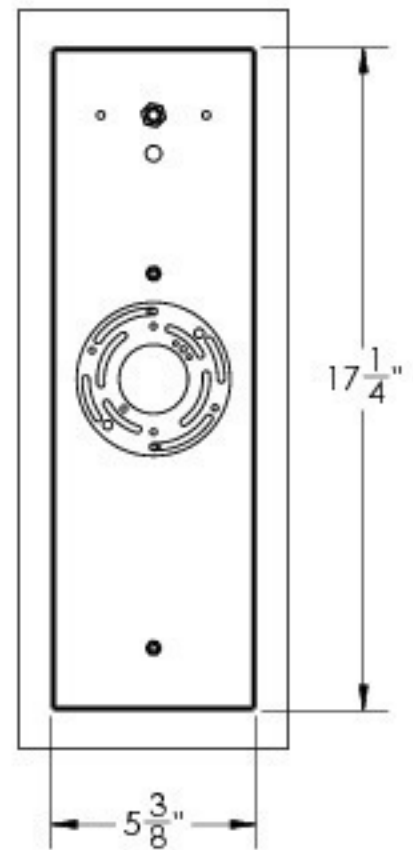
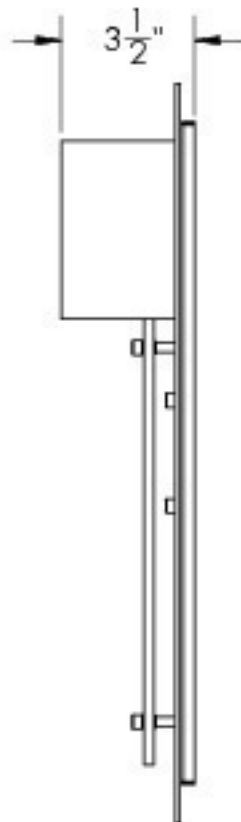
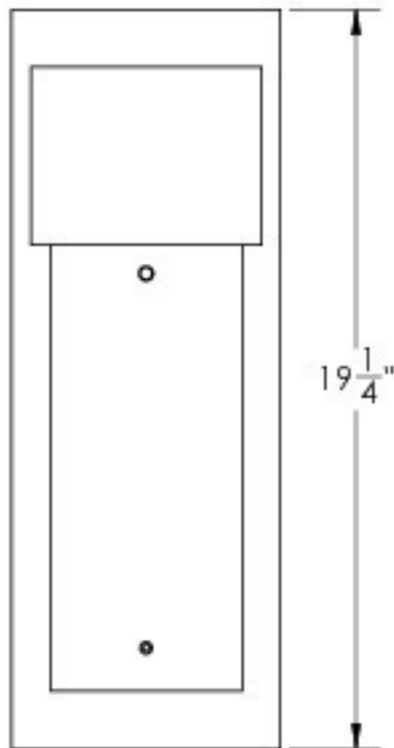
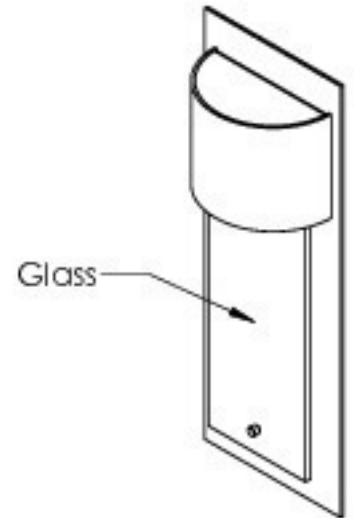
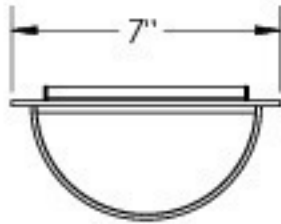


# SPECIFICATION DRAWING

Product #: ODB0031-19-XX-XX-G1



**\*\*FOR BEST RESULTS USE A 10°-20° DIRECTIONAL BULB\*\***

*Bulbs Not Included*

11/20/2015

Mounting Packet: U	Electrical Type: HALOGEN/LED
Approximate lbs.: 10	Bulb Qty: 1    Bulb Type: MR16
Finish: SEE WEB SITE FOR OPTIONS	Wattage: 35    Voltage: 120
Top Diffuser: Closed Metal	Socket Type: GU10
Bottom Diffuser: Open	UL Location: Wet

Mounting Detail

