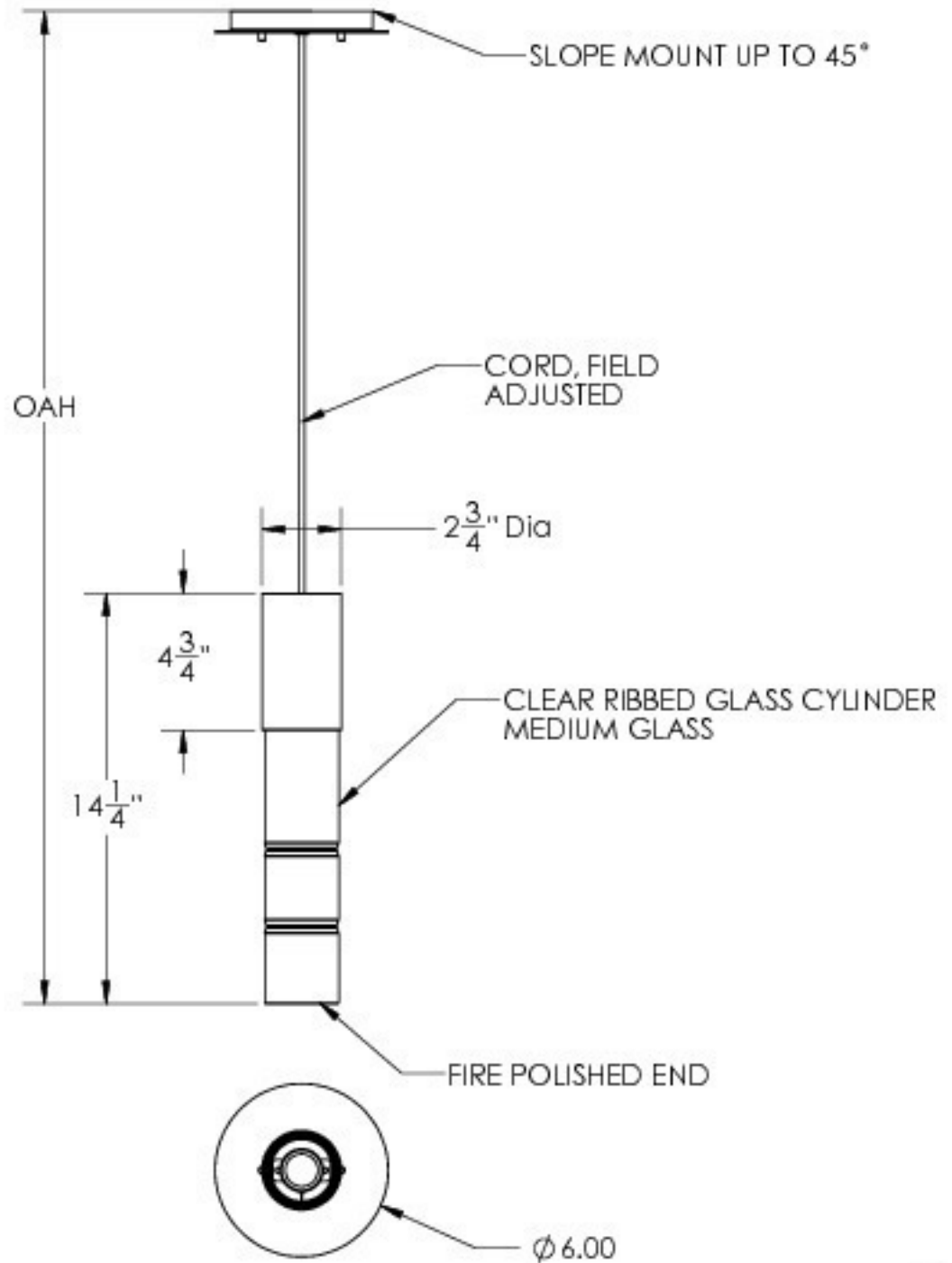


# SPECIFICATION DRAWING

Product #: LAB0018-01-XX-MM

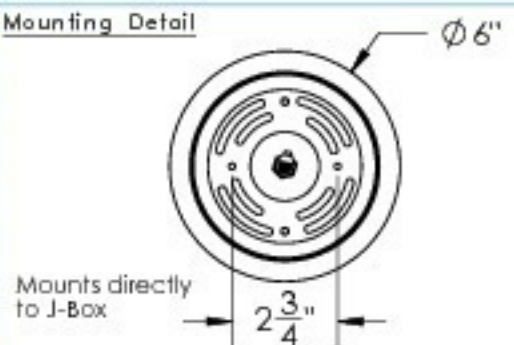


OAH Option	Min OAH	Max OAH
Standard	19"	67"
Extended	19"	127"
Extended Plus	19"	187"

*BULBS NOT INCLUDED*

Mounting Packet: Y	Electrical Type: Incandescent-Halogen
Approximate lbs.: 5	Bulb Qty: 1      Bulb Type: MR16
Finish: SEE WEB SITE FOR OPTIONS	Wattage: 35      Voltage: 120
Top Diffuser: Closed Metal	Socket Type: Medium (E26) Base
Bottom Diffuser: Open	UL Location: Dry

### Mounting Detail



Ⓐ